

PRONOVA 520



*Packaging the way you want it
Flexible, cost-efficient & convenient*

The Pronova 520 bagging machine is a robust machine that automatically and conveniently places cardboard headers onto the bag as they are sealed closed. The result is an attractive and practical pin-pack.

The machine opens up several bags for filling simultaneously and then automatically seals them closed. By simply loosening two knobs on the opening rails you can instantly and easily change the bag opening and adjust it to fit the product's size and shape - from a narrow and thin up to a wide and rectangular opening.

Filling options

For manual packaging, we have the 520 with work table equipped with ergonomic and operator-friendly features, such as easy height adjustment.

The 520 is well prepared for fully automated filling and can easily be integrated with existing production units and various filling stations such as weighers, counters etc.

PLC system

The machine is equipped with a PLC system. The operator panel gives all necessary machine information and has a operator-friendly touch button display with universal symbols.

Flexibility

- Versatile design - easily adjusted to fit products and productions.
- Opening arms can be up to 5 meters long.
- Bag width - 50 - 800 mm.
- Headers: 50 - 250 mm wide and 50 - 100 mm in height.
- Bag features - reclosability, perforation, hanger holes, stand-up pouch, etc.
- Materials - PE, PP, laminates.
- Continuous or intermittent bag feed.

Standard

- Preset counter for automatic stop after preset number of bags.
- Intermittent bag feeding with adjustable stop position.
- Preset counter for numbers of bags per feed.
- Continuous feeding of bags.

Options

- Foot pedal
- Work table
- Imprinters
- Labellers
- Product counter
- Compressing units
- Modem
- Recipe management

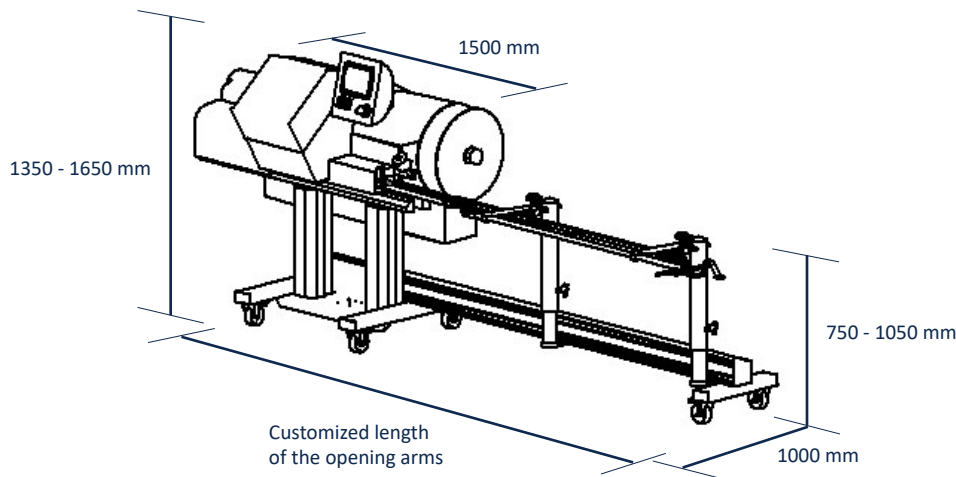


Technical description

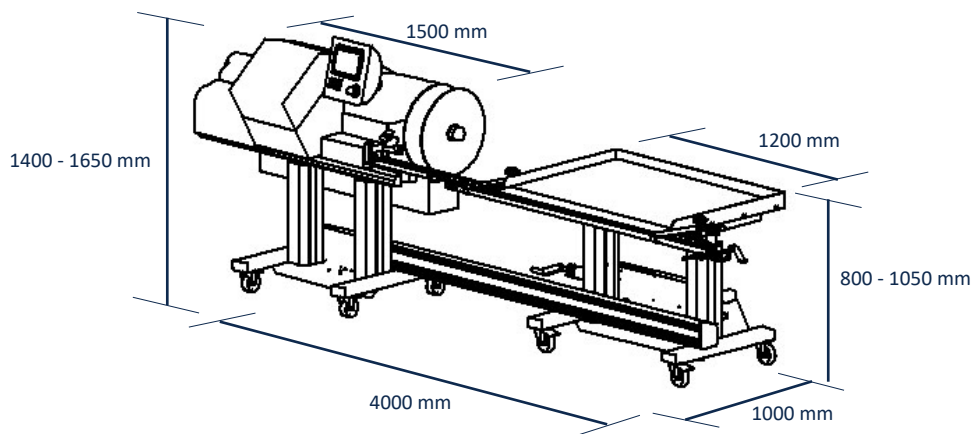
The length of the opening arms can be made between 1 - 5 meters, depending on chosen filling method.

Bags can hang free, without support, up to a weight of 300-400 grams per 100 mm bag width. For heavier products, we recommend the optional conveyor belt.

520 standard



520 with work table



Technical specifications Pronova 520

Machine weight:	350 kg
Standard sealing speed:	9 m/min
Power:	3 kW
Electrical supply:	400 V 3-phase
Compressed air:	600 kPa, 7 m ³ /h

Quality & Safety

The Pronova packaging system stands for quality, safety and accountability.

Every part of the business complies with the standards set by ISO 9001 from the time we begin the design and production of machines and packaging to delivery, service, education and support.

Our plastic factory is certified in accordance with ISO 22000

All machines are CE marked.

The Pronova packaging machines are designed with few moving parts and with a simplicity that makes them easy to use and easy to maintain. The welding unit is easy to disassemble without the use of any tools.

Our distributors and licensees around the world all take responsibility for the supply of machinery and materials, and they are all well trained for installation, training and service of our machines.



For further information, don't hesitate to contact us:

Pronova AB
Olofsdalsvägen 26
302 41 Halmstad
Sweden

Tel: +46 (0)35 17 19 00
sales@pronovaab.se
www.pronovasweden.eu

PRONOVA
PACKAGING SYSTEMS



CERTIFIED
ISO 9001
Quality management systems



CERTIFIED
ISO 22000
Food safety
management systems

